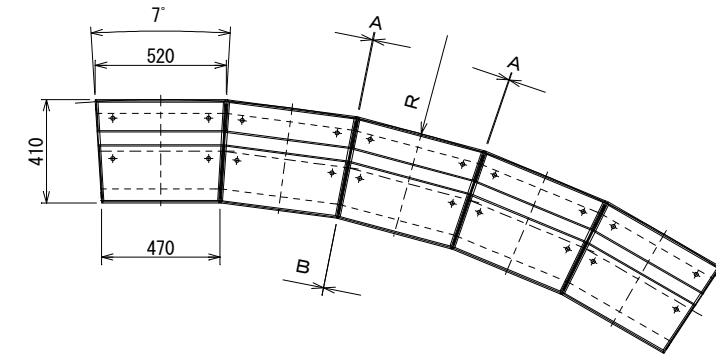
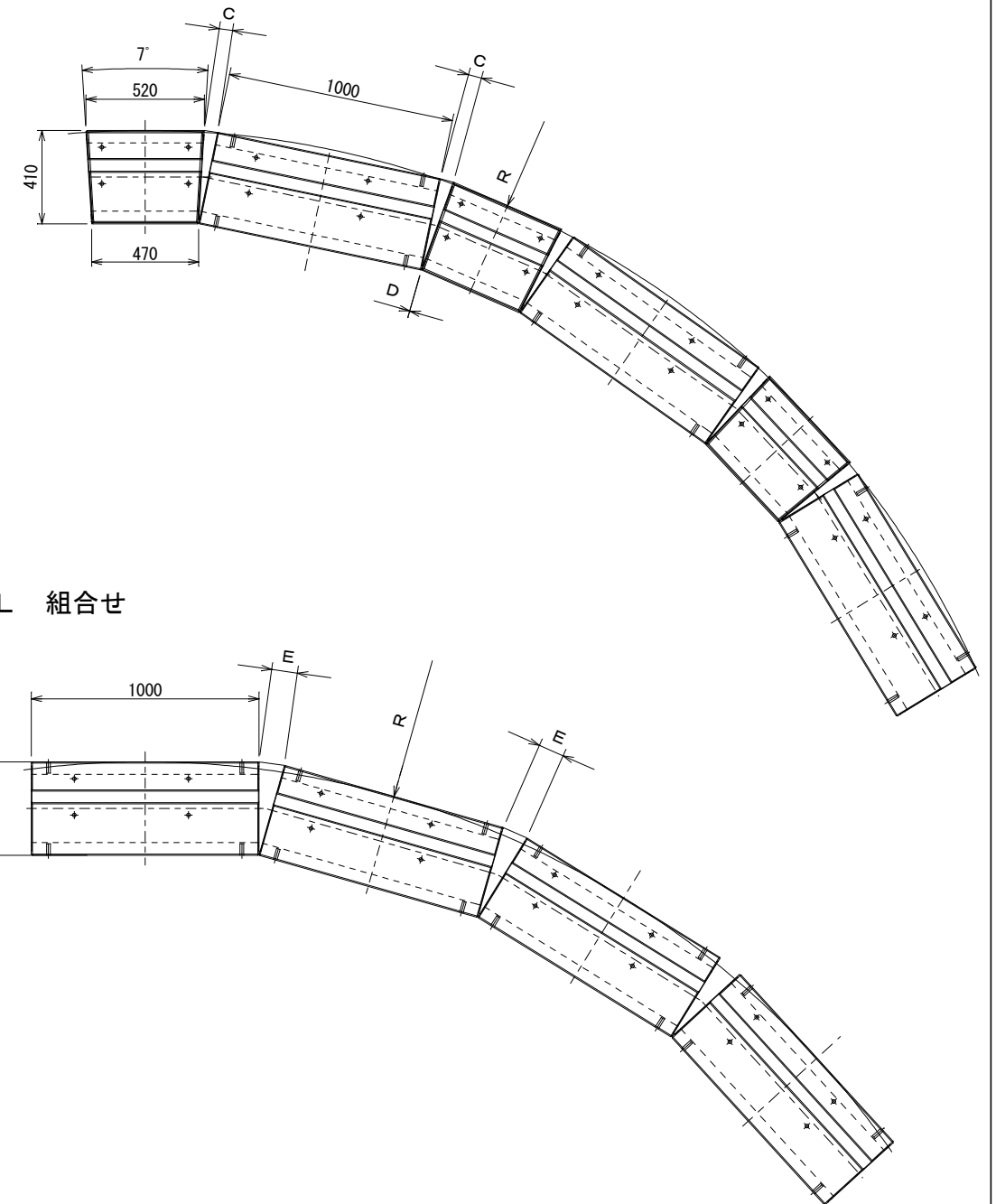


	組合せ	A	B	C	D	E
4MR	①	4mm	0			
5MR	①	0	7mm			
6MR	①	0	15mm			
7MR	①	0	20mm			
8MR	②			15mm	0	
9MR	②			10mm	0	
10MR	②			6mm	0	
11MR	②			4mm	0	
12MR	②			1mm	0	
13MR	②			0	1mm	
14MR	②			0	3mm	
15MR	②			0	4mm	
16MR	②			0	6mm	
17MR	②			0	7mm	
18MR	②			0	8mm	
19MR	②			0	9mm	
20MR	②			0	10mm	

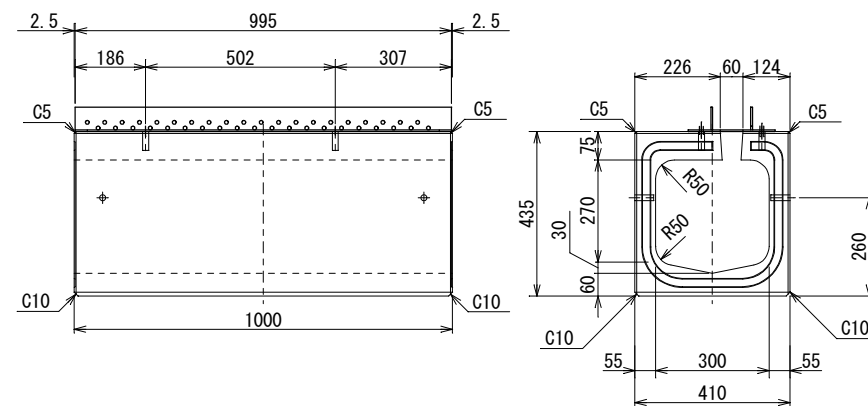
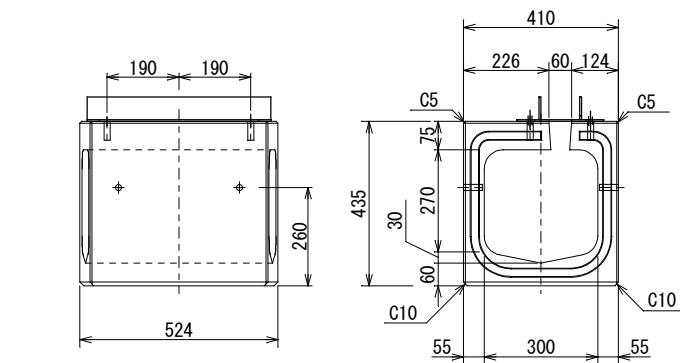
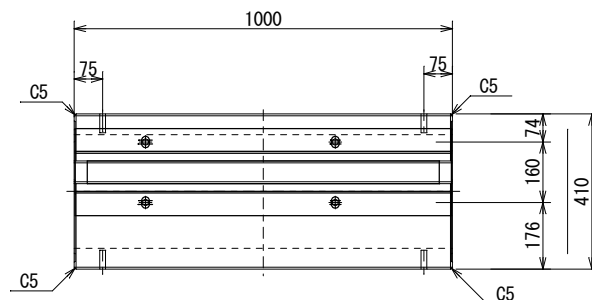
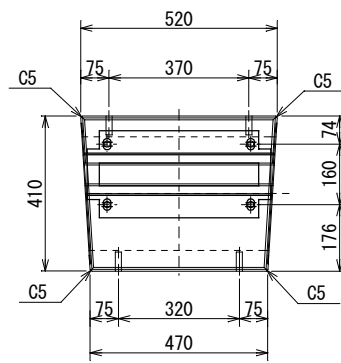
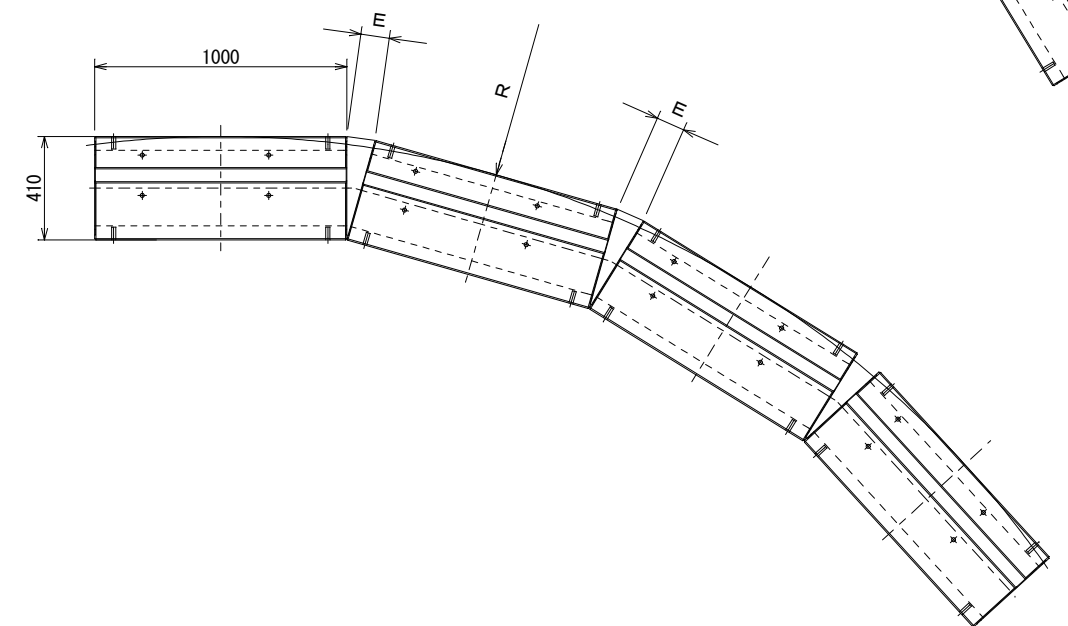
① 4MR 組合せ



② 4MR+1000L 組合せ



③ 1000L 組合せ



4MR

1000L